

BRINKMANN®

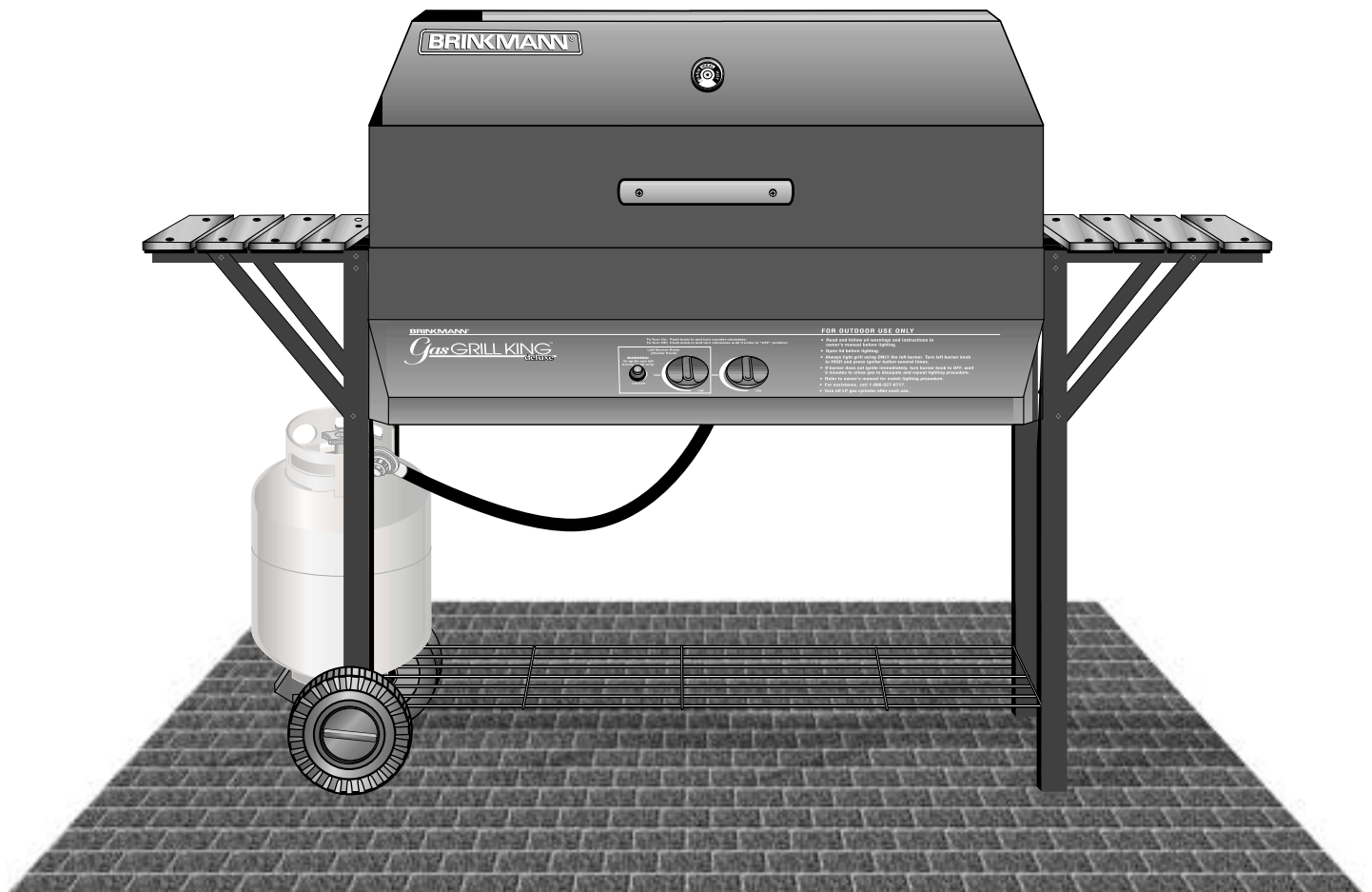
Gas GRILL KING™ deluxe

OWNER'S MANUAL ASSEMBLY AND OPERATING INSTRUCTIONS

SAVE THIS MANUAL FOR FUTURE REFERENCE


**NOTICE TO INSTALLER:
LEAVE THESE INSTRUCTIONS
WITH THE GRILL OWNER FOR
FUTURE REFERENCE.**

⚠ WARNING
HAZARDOUS EXPLOSION MAY
RESULT IF THESE WARNINGS AND
INSTRUCTIONS ARE IGNORED. READ
AND FOLLOW ALL WARNINGS AND
INSTRUCTIONS IN THIS MANUAL TO
AVOID PERSONAL INJURY, INCLUDING
DEATH OR PROPERTY DAMAGE.





IMPORTANT SAFETY WARNINGS

WE WANT YOU TO ASSEMBLE AND USE YOUR GRILL AS SAFELY AS POSSIBLE. THE PURPOSE OF THIS SAFETY ALERT SYMBOL  IS TO ATTRACT YOUR ATTENTION TO POSSIBLE HAZARDS AS YOU ASSEMBLE AND USE YOUR GRILL.

WHEN YOU SEE THE SAFETY ALERT SYMBOL  PAY CLOSE ATTENTION TO THE INFORMATION WHICH FOLLOWS!

 READ ALL SAFETY WARNINGS AND INSTRUCTIONS CAREFULLY BEFORE ASSEMBLING AND OPERATING YOUR GRILL.

DANGER

FOR YOUR SAFETY:

IF YOU SMELL GAS:

1. Shut off gas to the appliance at the LP cylinder and burner.
2. Extinguish any open flame.
3. Open the Lid.
4. If odor continues, leave the area and immediately call your gas supplier or your fire department.

WARNING

FOR YOUR SAFETY:

1. DO NOT store or use gasoline or other liquids with flammable vapors in the vicinity of this or any other appliance.
2. An LP cylinder not connected for use shall not be stored in the vicinity of this or any other appliance to avoid the possibility of explosion.


WARNING




- Never store a spare LP gas cylinder under or near this grill.
- Never fill the cylinder beyond 80% full.
- A fire causing death or serious injury may occur if the above is not followed exactly.

WARNING

- Never use natural gas in a unit designed for liquid propane gas.
- Never use charcoal briquets or lighter fluid in a gas grill.
- Leak test all connections before first use, even if grill was purchased fully assembled and after each tank refill.
- Never check for leaks using a match or open flame.

 **CAUTION!** Strong odors, colds, sinus congestion, etc. may prevent the detection of propane. Use caution and common sense when testing for leaks.

- Always keep gasoline, paint thinner, or other flammable liquids or combustible materials away from your gas grill.
- Always check the grill prior to each use as indicated in the "Pre-Start Check List" section of this manual.
- Keep children and pets away from hot grill. DO NOT allow children to use or play near this grill.
- DO NOT leave the grill unattended while in use.
- DO NOT allow the gas hose to come in contact with hot surfaces.
- DO NOT allow grease from drain hole to fall on hose or valve regulator assembly.
- Keep any electrical supply cords away from water or heated surfaces.
- Keep a fire extinguisher on hand acceptable for use with gas products. Refer to your local authority to determine proper size and type.
- Never place more than 15 pounds on the side tables. DO NOT lean on the side table shelves.
- For household use only. DO NOT use this grill for anything other than its intended purpose.
- DO NOT use while under the influence of drugs or alcohol.
- Grill is hot when in use. To avoid burns:
 - DO NOT attempt to move the grill.
 - Wear protective gloves or oven mitts.
 - DO NOT touch any hot grill surfaces.
 - DO NOT wear loose clothing or allow hair to come in contact with grill.

 **USE CAUTION AND COMMON SENSE WHEN OPERATING YOUR GAS GRILL. FAILURE TO ADHERE TO THE SAFETY WARNINGS AND GUIDELINES IN THIS MANUAL COULD RESULT IN SEVERE BODILY INJURY OR PROPERTY DAMAGE.**

SAVE THIS MANUAL FOR FUTURE REFERENCE.

WARNING

- **FOR OUTDOOR USE ONLY. DO NOT** operate indoors or in an enclosed area such as garage, shed or breezeway.
- Use your grill **OUTDOORS** in a well ventilated space away from dwellings or other buildings to prevent dangers associated with gas accumulation and toxic vapors. We recommend your grill be situated at least 10 feet from buildings.
- **Maintain a minimum clearance of 24 inches (60 cm) between all sides of grill and walls or other combustible material.**
- **DO NOT** install in or on a recreational vehicle and/or boat.

INSTALLATION INFORMATION:

The installation of this appliance must be in accordance with:

All applicable local codes, or in the absence of local codes, either:

- National Fuel Gas Code,
- ANSI Z223.1 1988 or latest edition (USA)
- Natural Gas Installation Code: CAN/CGA B149.1 (Canada)
- Propane Installation Code: CAN/CGA B149.2 (Canada)

To check your local codes, see your local LP gas dealer or natural gas company.

This grill was not intended to be connected to a natural gas supply line.

WARNING

LP GAS CYLINDER (NOT SUPPLIED WITH THIS GRILL)

The LP (Liquid Propane) gas cylinder specifically designed to be used with this grill must have a 20 lb. (9.1 kg) capacity incorporating a Type 1 cylinder valve and an over-filling protection device (OPD).

- **DO NOT** connect this grill to an existing #510 POL cylinder valve with Left Hand threads. The Type 1 valve can be identified with the large external threads on the valve outlet.
- **DO NOT** connect to a propane cylinder exceeding this capacity.
- **DO NOT** connect to a cylinder that uses any other type of valve connection device.

CYLINDER SPECIFICATIONS:

When purchasing or exchanging a cylinder for your gas grill, it must be constructed and marked in accordance with the specifications for LP gas cylinders of the U.S. Department of Transportation (DOT) or the National Standard of Canada, CAN/CSA-B339 as applicable with a listed over-filling prevention device (OPD).

The cylinder must also be equipped with:

- A shut-off valve terminating in a Type 1 gas cylinder valve outlet.
- A Type 1 valve that prevents gas flow until a positive seal is obtained.
- An arrangement for vapor withdrawal.
- A collar to protect the cylinder shut off valve.
- A safety relief device having direct communication with the vapor space of the cylinder.
- A listed over-filling prevention device (OPD).

WARNING

- **Turn off the cylinder valve when your grill is not in use.**
- **Handle the tank with care.**
- **Always secure the cylinder in an upright position.**
- **Never connect an unregulated LP gas cylinder to your grill.**
- **DO NOT expose LP gas cylinders to excessive heat or ignition sources.**
- **DO NOT store a spare LP gas cylinder under or near your grill.**
- **Allow only qualified LP gas dealers to fill or repair your LP gas cylinder.**
- **DO NOT allow the cylinder to be filled beyond 80% capacity.**
- **Read and follow all warnings and instructions that are on the cylinder and that accompany this product.**

DANGER

- **Never store a spare LP gas cylinder under or near your grill. This could cause excess pressure to be expelled through the vapor relief valve resulting in fire, explosion, or severe personal injury including death.**

**NOTE: PROPANE GAS IS HEAVIER THAN AIR AND WILL COLLECT IN LOW AREAS.
PROPER VENTILATION IS EXTREMELY IMPORTANT.**

- **DO NOT insert any foreign objects into the valve outlet. Damage to the back-check could result. A damaged back-check can cause a leak, possibly resulting in explosion, fire, severe bodily harm, or death.**

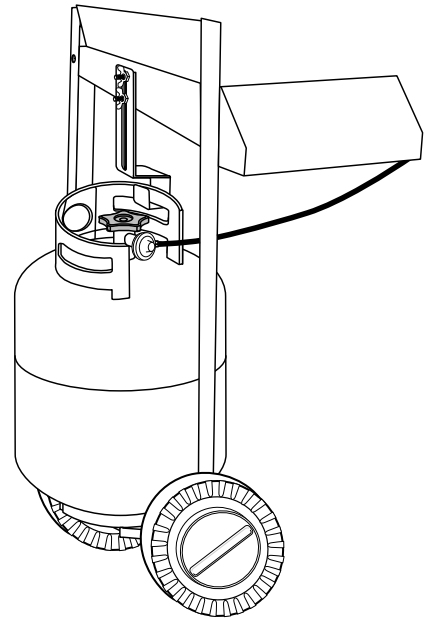
WARNING

FILLING THE LP GAS CYLINDER:

- Allow only qualified LP gas dealers to properly fill or repair your LP gas cylinder.
- New tanks should be purged prior to filling; inform LP gas dealer if you are using a new tank.
- **DO NOT** allow the cylinder to be filled beyond 80% capacity. Over-filled tanks can create a dangerous condition. Over-filled tanks can build-up pressure and cause the relief valve to expel propane gas vapors. The vapor is combustible and if it comes in contact with a spark source or flame an explosion causing severe burns, bodily harm, or death could occur.
- Always use a protective cylinder cap when grill is not connected to cylinder.
- If you exchange a cylinder with a qualified exchange program, be sure the cylinder has a Type 1 valve and an over-filling prevention device (OPD).

INSTALLING THE LP GAS CYLINDER ONTO THE GRILL:

1. Check that the cylinder valve is closed by turning the knob clockwise.
2. Loosen the two (2) wing nuts on the tank clamp bracket to allow the bracket to move up and down freely.
3. Place the cylinder onto the support bracket.
4. Orient the cylinder such that the valve opening faces the front of the grill.
5. The tank clamp bracket should slide upward and hook inside one of the openings on the top flange of the tank.
6. Fully tighten both wing nuts to secure the tank.



HOSE AND REGULATOR:

Your grill is equipped with a Type 1 connection device with the following features:

1. The system will not allow gas flow from the cylinder until a positive connection to the valve has been made.

NOTE: The cylinder valve must be turned off before any connection is made or removed.

2. A thermal device that will shut off the gas flow if the device is subject to temperatures above 240°F and 300°F (115°C and 150°C). If this should happen, remove the entire regulator assembly and throw it away. A replacement regulator assembly can be purchased by contacting Brinkmann at 1-800-527-0717. The cause of the excessive heat should be determined and corrected before using your grill again.
3. A flow limiting device, when activated, restricts the flow of gas to 10 cubic feet per hour.

WARNING

- **Never use your grill without leak testing all gas connections and hoses. See the section on "Leak Testing" in this manual for proper procedures.**

WARNING

The pressure regulator and hose assembly supplied with your gas grill is designed to work with an LP gas supply cylinder.

- **DO NOT attempt to connect it to any other fuel supply source such as a natural gas line.**
- **DO NOT use any other pressure regulator/hose assembly other than the one supplied with your grill.**
- **DO NOT attempt to adjust or repair the regulator. A replacement regulator can be supplied by contacting the manufacturer. The regulator is designed to operate at an output pressure of 11 inches of water column (2.74 kPa).**

During assembly and/or replacement of the gas cylinder, keep the gas supply hose free of kinks and/or damage.

Visually inspect the hose assembly prior to each use for evidence of damage, excess wear, or deterioration. If found, replace the assembly before using your grill. Only the manufacturers supplied replacement should be used.

WARNING

CONNECTING HOSE AND REGULATOR TO AN LP GAS CYLINDER

- **Insure the tank valve is CLOSED prior to connecting the LP gas cylinder to your grill. Turn the valve knob clockwise to properly close the valve. Read and follow all instructions and warnings on the supply hose safety tags. Read and follow all warnings in this manual concerning the safe use of LP gas cylinders and the hose and regulator before connecting cylinder to grill. Read and follow all warnings on the LP cylinder.**

1. Check that the cylinder valve is closed by turning the knob clockwise.
2. Check that the grill's burner knobs are in the proper OFF positions.
3. Remove the protective plastic cap from the cylinder valve and the connection device.
4. Insert the nipple of connection device into the valve outlet. Insure that the device is centered properly.
5. Turn the large coupling nut clockwise by hand and tighten to a full stop. Take care not to cross thread the coupling nut onto the cylinder valve. Do not over-tighten the knob onto the valve. Do not use tools to tighten connection.

NOTE: If you are unable to make the connection, repeat steps 4 and 5.

6. Check that the hose does not contain kinks, does not contact sharp edges, and does not contact surfaces that may become hot during use.
7. Leak check all fittings before lighting your grill. See section on "Leak Testing" in this manual.

DANGER

LEAK TESTING:

To prevent fire or explosion hazard:

- **DO NOT** smoke or permit ignition sources in the area while conducting a leak test.
- Perform test **OUTDOORS** only in a well ventilated area.
- Never perform a leak test with a match or open flame.
- Never perform a leak test while the grill is in use.

WARNING

WHEN TO PERFORM A LEAK TEST:

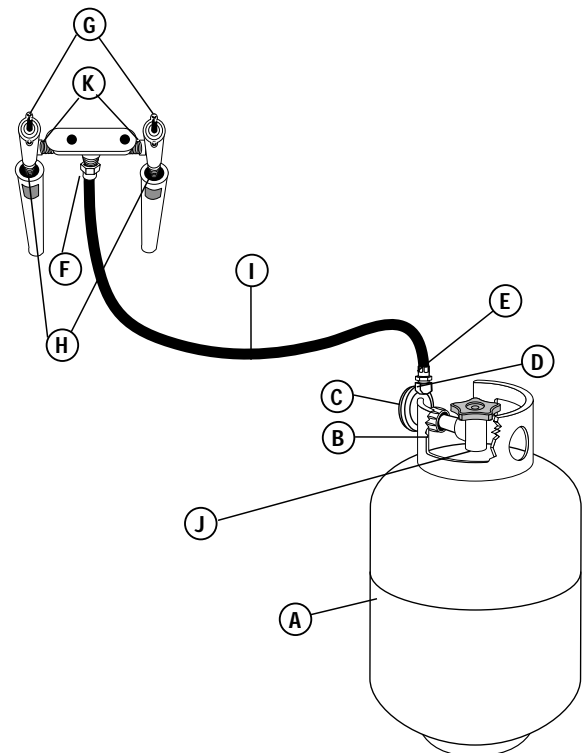
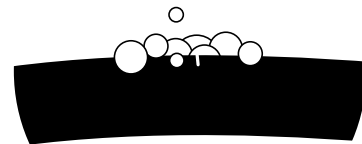
- After assembling your grill and before lighting for the first time, even if purchased fully assembled.
- Every time the LP gas cylinder is refilled or if any of the gas components are replaced.
- Any time your grill has been moved.
- At least once per year or if your grill has not been used for more than 60 days.

CHECKING FOR LEAKS:

1. Create a mixture of 50% water and 50% liquid dishwashing soap.
2. Open the lid.
3. Insure all burner knobs are set to the OFF position.
4. Turn on the fuel supply at the LP cylinder valve.
Turn the cylinder valve knob one turn counterclockwise.
5. Apply the soap water mixture to the following:

- (A) Supply tank (cylinder) weld
- (B) Connection nut to tank valve.
- (C) Back side of connection nut to brass nipple.
- (D) Brass nipple connection into regulator.
- (E) Regulator connection to gas supply hose.
- (F) Gas supply hose connection to valve manifold
- (G) Burner valve stem caps
- (H) Burner orifice fittings
- (I) The full length of gas supply hose
- (J) Tank valve to cylinder
- (K) Gas valve connection to manifold

Watch For Bubbles



6. Check each place listed (A -K) for growing bubbles which indicates a leak.
7. Turn OFF gas supply at cylinder valve.
8. Turn on control knobs to release gas pressure in hose.
9. Turn control knobs to "off" position.
10. Tighten any leaking connections.
11. Repeat soapy water test until no leaks are detected. **DO NOT** use the grill if leaks cannot be stopped. Contact a qualified gas appliance repair service.
12. Turn OFF gas supply at cylinder valve until you are ready to use your grill.
13. Wash off soapy residue with cold water and towel dry.
14. Wait 5 minutes to allow all gas to evacuate the area before lighting grill.

NOTE: The leak test must be performed in an area that has adequate lighting in order to see if bubbles are developing. **DO NOT** use a flashlight to check for bubbles.

WARNING

PRE-START CHECK LIST:

Property damage, bodily harm, severe burns, and death could result from failure to follow these safety steps. These steps should be performed after the grill has been assembled, stored, moved, cleaned, or repaired. DO NOT operate this grill until you have read and understand ALL of the warnings and instructions in this manual.

- Insure that the grill is properly assembled.
- Check burner venturi tubes for blockage from insect nests. See section on "Cleaning and Maintenance".
- Check that all burner venturi are seated properly over the valve outlets as shown in step 21 of the assembly instructions. The orifice must be inside the burner venturi for proper air/fuel mixing.
- Inspect the gas supply hose for burns, chaffing, kinks, and proper routing before each use. Hoses should be at least 3 inches from hot surfaces.
- Leak check all gas connections and hoses. See section on "Leak Testing".
- Ensure that all electrical supply cords are properly grounded and are kept away from water and hot surfaces.
- Position your grill on level ground in a well ventilated location, a safe distance from combustible materials and buildings.
- Properly place an empty grease collection cup under the grease drain hole in the bottom of the grill to catch grease during use.

⚠️ WARNING

Read, understand and follow all warnings and instructions contained in this manual. **DO NOT** skip any of the warnings and instructions contained in the preceding sections of this manual.

⚠️ WARNING

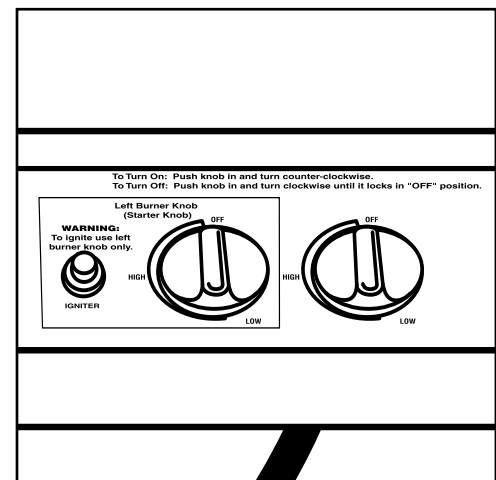
LIGHTING INSTRUCTIONS:

Follow the instructions exactly.

1. **OPEN THE GRILL LID** before attempting to light the burner so that fumes do not accumulate inside the grill. An explosion could occur if grill lid is down.
2. Check that all burner control knobs and the cylinder valve are turned to the **OFF** position.
3. Turn on the fuel supply by rotating the cylinder valve knob counterclockwise to full open.
4. **DO NOT** stand with head, body, or arms over the grill when lighting.

LIGHTING THE BURNER:

1. Open lid before lighting.
2. Always light grill using **ONLY** the left burner. Turn left burner knob to **HIGH** and press igniter button several times (4 or 5) until the burner ignites.
3. If burner does not ignite immediately, turn burner knob to **OFF** and wait 5 minutes to allow gas to evacuate the grill. Repeat steps 1 through 3 until burner ignites.
4. If burner does not ignite using the push button igniter wait 5 minutes, see "Match Lighting the Burner" section.
5. Once lit, the other side of the burner can be lit automatically by turning the other control knob to "**HIGH**".



MATCH LIGHTING THE BURNER:

1. Open lid before lighting.
2. Turn the burner control knobs to **OFF**.
3. Strike and place a long wooden match through the air holes in the bottom **LEFT** hand side of the grill to approximately 1/2" (2 to 3 cm) from the burner.
4. Turn on the **LEFT** burner control knob to the **HIGH** position. The burner should light within 5 seconds.
5. If the burner does not light, turn the control knob to **OFF** and wait 5 minutes for gas to evacuate the grill. Repeat steps 1 through 4 until the burner ignites.
6. Once lit, the other side of the burner can be lit automatically by turning the other control knob to "**HIGH**".
7. If the burner does not light within the first few attempts of match lighting, there is a problem with the gas supply. Turn off the gas at the burner and cylinder. **DO NOT** attempt to operate the grill until the problem is found and corrected. See "Trouble Shooting" section of this manual.

TURNING OFF THE GRILL:

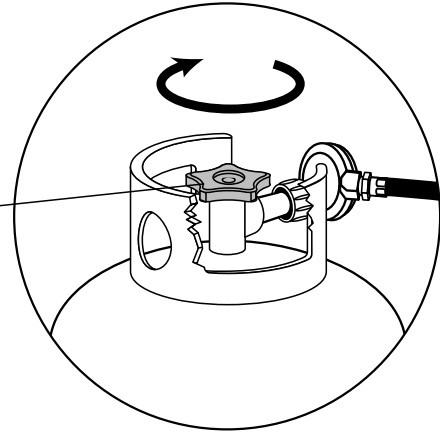
1. Turn OFF the LP tank valve.
2. Turn all burner control knobs to the OFF position.

NOTE: Turn off LP cylinder first to prevent gas from being left in the system under pressure.

⚠ CAUTION!

- The LP tank valve should always be in the off, or closed, position when the grill is not in use.

To turn off the LP tank valve, turn knob clockwise until it stops.



⚠ WARNING

OPERATING THE GRILL:

Never use Charcoal or Lighter Fluid inside your Gas Grill. Read and follow all warnings and instructions contained in the preceding sections of this manual.

BREAKING IN YOUR GRILL:

- In manufacturing and preserving the components of your grill, oil residue may be present on the burner and cooking surfaces of your grill.
- Before cooking on your grill for the first time you should operate it for 15 minutes on "HIGH" to burn off these residual oils.

PREHEATING THE GRILL:

- Prior to use, it is recommended that you preheat your grill. This ensures that the grilling surfaces are at the desired temperatures to sear the food sugars when cooking. After lighting your grill, set the burner control knobs to the "HIGH" position for 10 to 15 minutes.

CONTROLLING FLARE-UPS:

- Flare-ups are a part of cooking meats on a gas grill. This adds to the unique flavor of cooking on a gas grill. Excessive flare-ups can over-cook your food and cause a dangerous situation for you or your grill. Excessive flare-ups result from the build-up of grease in the bottom of your grill. If this should occur, DO NOT pour water onto the flames. This can cause the grease to splatter and could result in serious burns or bodily harm. When grease fires occur close the lid and turn off the burner until the grease burns out. Use caution when opening the lid as sudden flare-ups may occur.

WARNING

- **DO NOT** leave your grill unattended while in use.
- **DO NOT** move grill when in use.
- **DO NOT** use water to extinguish flare-ups.
- Have fire extinguisher readily accessible suitable for use with gas appliances.
- Only use ceramic briquets that are large enough so they do not fall through the rock grate to the burner. This will prevent grease build-up.

TO MINIMIZE FLARE-UPS:

- Trim excess fat from meats prior to cooking.
- Cook meats with high fat contents (chicken or pork) on Low settings or indirectly.
- Ensure that your grill is on level ground and the grease is allowed to evacuate the grill through the drain hole in the bottom.

INDIRECT COOKING:

- Indirect cooking is the process of cooking your food without the heat source being directly under your food. You can sear meats over a high flame on one side of the grill while slow cooking a roast on the other (unlit) side of the grill.

WARNING

- **DO NOT** store a spare LP gas cylinder (filled or empty) under or near the grill.
- Never store flammable liquids or spray canisters under or near the grill.
- **DO NOT** extinguish grease fires using water.

WARNING

TRANSPORTING AND STORAGE:

- Never move a grill when it is hot or when objects are on the cooking surfaces.
- Make sure that cylinder valve is shut off. After moving the grill check that all gas connections are free of leaks. Check the venturi tubes to ensure they are properly connected to the valves and the orifices are inside the venturi tube.

Follow the instructions listed below.

BEFORE STORING YOUR GRILL:

- Ensure that the fuel supply tank valve is fully closed.
- Clean all surfaces.
- Lightly coat the burner with cooking oil to prevent excess rusting.
- If storing the grill indoors, disconnect the LP tank and leave the LP tank OUTDOORS.
- Place a protective cap cover on the LP tank and store the tank outdoors in a well ventilated area out of direct sunlight.
- If storing the grill outdoors, cover the grill with a grill cover for protection from the weather. A grill cover can be purchased by contacting:
The Brinkmann Corporation at 1-800-527-0717.

CLEANING AND MAINTENANCE:

- For safe grilling and peak performance of your grill, perform these checks at least twice per year or after extended periods of storage.

HARDWARE

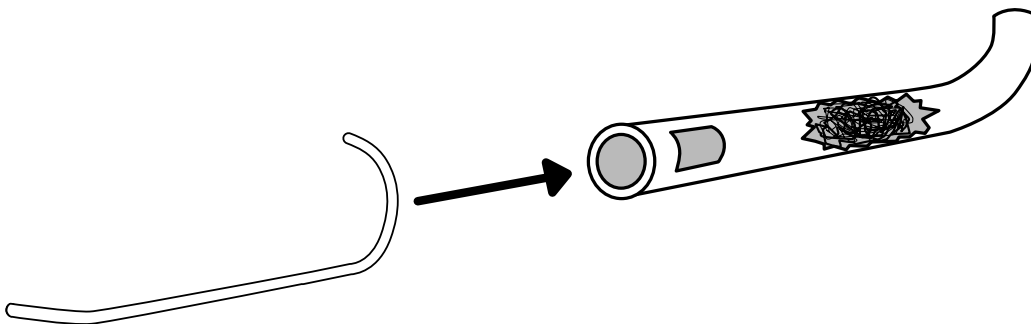
- Be sure to tighten up all hardware (nuts, bolts, screws, etc.) at least twice per year.

FIREBOX

- Remove the cooking grids, ceramic briquets, and burner from inside your grill. Use a brush with hot water and detergent to remove excess residue. NEVER use a commercial oven cleaner. Rinse completely with water. Towel dry and replace all components as described in the assembly instructions.

BURNER AND VENTURIS

- Although your burner is constructed of high quality stainless steel, it will rust as a result of the extreme heat and acids from cooking foods. Regularly inspect the burner for cracks, abnormal holes, and other signs of corrosion damage. If found, replace the burner.
- Venturi tubes can become blocked by spiders and other insects building their nests. Blocked venturi tubes can prevent gas flow to the burner and could possibly result in a venturi fire. To clean the venturis, remove the burner from the grill. Use a pipe cleaner or a small wire and insert into the opening of the venturi. Remove any obstructions that may exist. Replace the burner as per the assembly instructions.



COOKING GRILLS

- Clean with mild soap detergent and water. A brass bristled brush or a nylon cleaning pad can be used to remove residue from the cooking surface. DO NOT use a commercial oven cleaner.

CERAMIC BRIQUETS

- Periodically, it may be necessary to inspect and clean the ceramic briquets to prevent excess grease build-up. When the grill is cold, remove the cooking grill. Inspect each briquet and replace briquets that are broken, chipped or damaged to the extent that it may fall through the briquet grate and onto the burner. Replace the cooking grill and light the burner. Operate the grill on "HIGH" for 10 minutes to remove the excess grease. If purchasing replacement ceramic briquets, purchase only large ceramic briquets that will not fall through the briquet grate as grease build-up on the briquets could result in grease fire.

TROUBLE SHOOTING:

Problem:	Possible Causes:
<ul style="list-style-type: none">• Burner will not light	<ol style="list-style-type: none">1. Check LP cylinder fuel level.2. Bad electrode spark. Check to see if the grill will match light. Electrode or collector may need adjustment.3. Venturi may not be properly seated.4. Venturi may be obstructed.5. The cylinder valve may be closed.6. Regulator is not properly seated on cylinder valve.
<ul style="list-style-type: none">• Fire at control knobs	<ol style="list-style-type: none">1. Venturi is obstructed. See section on Cleaning and Maintenance of the Venturi.2. Venturi is improperly seated on control valve.3. Gas connections may be loose. Leak Check and tighten all connections.
<ul style="list-style-type: none">• Yellow Flames at burner	<ol style="list-style-type: none">1. Venturi is obstructed. See section on Cleaning and Maintenance of the Venturi.
<ul style="list-style-type: none">• Flame blows out on "LOW"	<ol style="list-style-type: none">1. Venturi may be obstructed. See section on Cleaning and Maintenance of the Venturi.2. Grill is not sufficiently preheated.3. Venturi is improperly seated on control valve.
<ul style="list-style-type: none">• Burner does not get hot enough	<ol style="list-style-type: none">1. Flow control device has been activated in regulator.2. Turn off the grill and the fuel supply. Disconnect the grill from the cylinder valve. Reconnect the grill to the cylinder and light grill. See section on Connection to the LP Cylinder.
<ul style="list-style-type: none">• Grill is Too Hot	<ol style="list-style-type: none">1. Excess grease build-up causing grease fires.2. Damaged or faulty regulator. Replace with factory authorized parts.3. Cook on a lower temperature setting.

PROPER CARE & MAINTENANCE

- To protect your grill from excessive rust, the unit must be kept clean and covered at all times when not in use. A grill cover may be ordered directly from Brinkmann by calling 1-800-468-5252 or 1-800-527-0717.
- Wash cooking grill and rock grate with hot, soapy water, rinse well and dry. Lightly coat cooking grill with vegetable oil or vegetable oil spray.
- Clean inside and outside of grill by wiping off with a damp cloth. Apply a light coat of vegetable oil or vegetable oil spray to the interior surface to prevent rusting.
- If rust appears on the exterior surface of your grill, clean and buff the affected area with steel wool or fine grit emery cloth. Touch-up with a good quality high-temperature resistant paint.
- Never apply paint to the interior surface. Rust spots on the interior surface can be buffed, cleaned, then lightly coated with vegetable oil or vegetable oil spray to minimize rusting.

GRILL COOKING TIPS

CLEANLINESS

- Always wash hands thoroughly with soap and hot water prior to handling food and after handling raw meat, un-cooked poultry or seafood.
- When using a platter to carry raw meat, un-cooked poultry or seafood to the grill, make sure to wash the platter thoroughly with soap and hot water before placing cooked foods back on the platter or use different platters for raw and cooked foods.
- Never use the same utensils when handling raw meat, un-cooked poultry or seafood unless you wash the utensils thoroughly with soap and hot water.
- Never re-use marinade from raw meat or un-cooked poultry on foods that have been cooked and are ready to be served.

GRILLING TO PROPER TEMPERATURE

- Use a meat thermometer to be sure food has reached a safe internal temperature. You may order a Commercial-quality thermometer from Brinkmann. For more information on this product and other Brinkmann accessories, please refer to the accessory pages at the end of this manual.
- The US Department of Agriculture recommends the **minimum** temperature be reached for the following food items:

Chops	145 degrees F
Ground Meat	160 degrees F
Pork	160 degrees F
Poultry	180 degrees F
Roasts	145 degrees F

HELPFUL HINTS

- If you pre-cook meat or poultry, do so immediately before grilling.
- Never defrost meat at room temperature or on a countertop.
- Refrigerate leftovers within 2 hours of taking food off the grill.
- For additional information, please phone the USDA's toll free Meat & Poultry Hotline at 1-800-535-4555.

ASSEMBLY INSTRUCTIONS

▲ READ ALL SAFETY WARNINGS & ASSEMBLY INSTRUCTIONS CAREFULLY BEFORE ASSEMBLING OR OPERATING YOUR GRILL.

WE RECOMMEND TWO PEOPLE WORK TOGETHER WHEN ASSEMBLING THIS UNIT.

The following tools are required to assemble this Brinkmann Gas Grill King Deluxe:

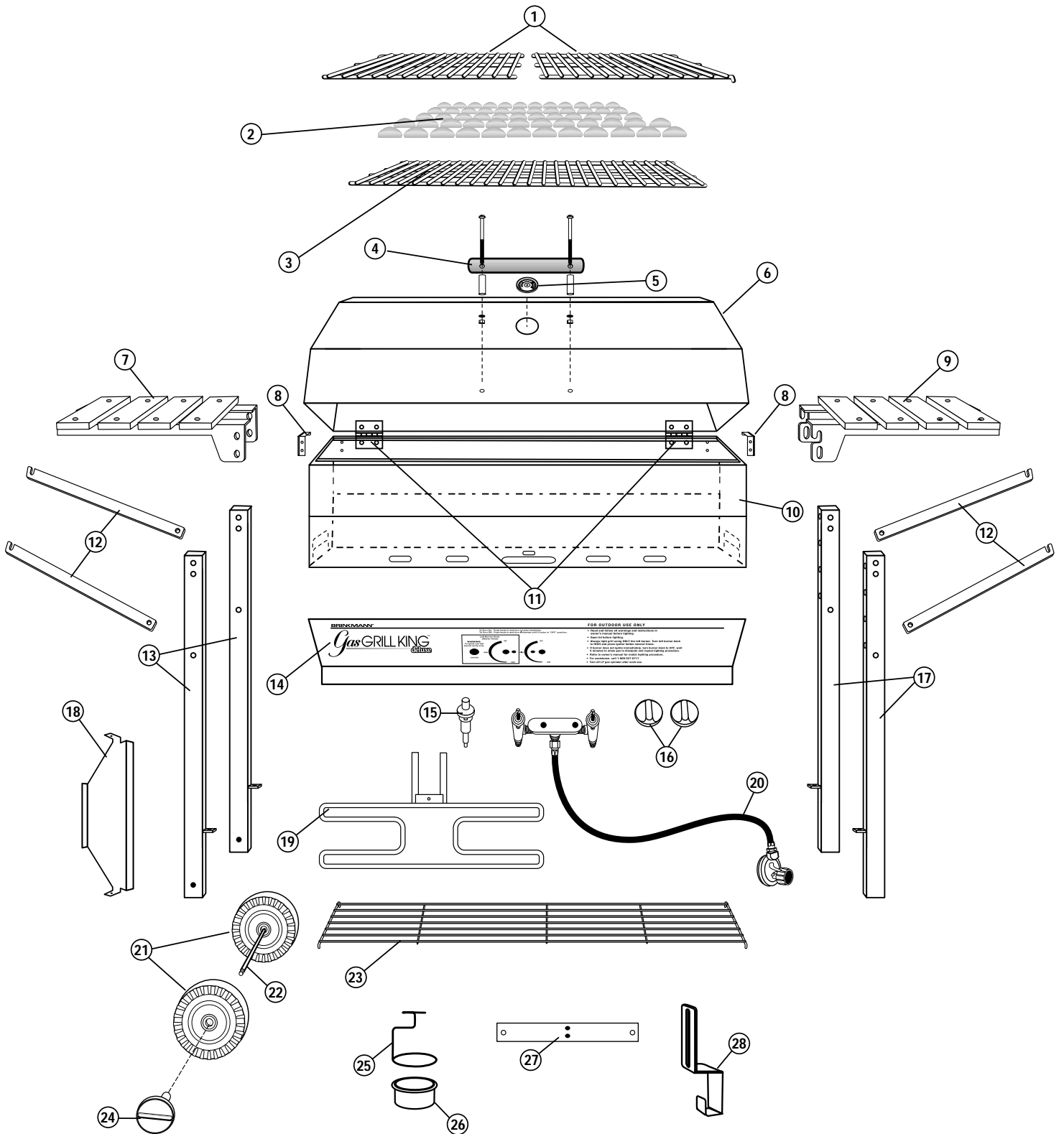
- **Pliers**
- **Phillips & Flathead Screwdrivers**
- **Adjustable Wrench**

PARTS LIST:

- | | | |
|---|---|--|
| ① | 2 | Cooking grills 16 3/4 X 16 1/4 |
| ② | 1 | Bag of ceramic briquets |
| ③ | 1 | Briquet grate 33 1/2 X 16 1/2 |
| ④ | 1 | Wooden handle |
| ⑤ | 1 | Temperature gauge |
| ⑥ | 1 | Grill hood housing |
| ⑦ | 1 | Assembled tank side table |
| ⑧ | 2 | Hood stops |
| ⑨ | 1 | Assembled folding side table |
| ⑩ | 1 | Lower grill housing |
| ⑪ | 2 | Hood hinges |
| ⑫ | 4 | Support arm brackets |
| ⑬ | 2 | Legs (with axle hole) |
| ⑭ | 1 | Control panel |
| ⑮ | 1 | Igniter |
| ⑯ | 2 | Control knobs |
| ⑰ | 2 | Legs (without axle hole) |
| ⑱ | 1 | Tank support bracket |
| ⑲ | 1 | Grill burner with electrode |
| ⑳ | 1 | Gas control manifold,
Hose/Regulator Assembly |
| ㉑ | 2 | Wheels |
| ㉒ | 1 | Axle |
| ㉓ | 1 | Wire rack |
| ㉔ | 2 | Wheel hubs |
| ㉕ | 1 | Grease cup holder |
| ㉖ | 1 | Grease cup |
| ㉗ | 1 | Tank hook strap |
| ㉘ | 1 | Tank hook bracket |

PARTS BAG CONTAINS:

- | | |
|----|---------------------------------|
| 2 | Handle spacers |
| 1 | Temperature gauge |
| 2 | Hinges |
| 2 | Hood stops |
| 2 | Wheel hubs |
| 23 | 6x5 mm hexagonal nuts |
| 2 | 5x4 mm hexagonal nuts |
| 2 | 5x65 mm Phillips head bolts |
| 2 | Spring washers |
| 12 | 6x12 mm Phillips hex head bolts |
| 23 | 6x50 mm Phillips head bolts |
| 2 | Flat washers |
| 4 | 4x12 mm self tapping screws |
| 2 | Wing nuts |
| 2 | Shouldered screws |
| 2 | Control knobs |
| 1 | Igniter |
| 1 | Gas control valves |



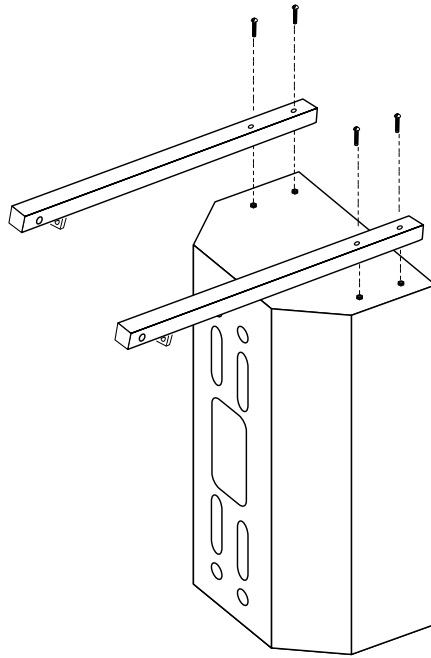
FOR MISSING PARTS, PLEASE CALL CUSTOMER SERVICE AT 1-800-527-0717.
 (Proof of purchase will be required.)

Inspect contents of the box to ensure all parts are included and undamaged.

Choose a good, cleared assembly area and get a friend to help you put your grill together. Lay cardboard down to protect grill finish and assembly area.

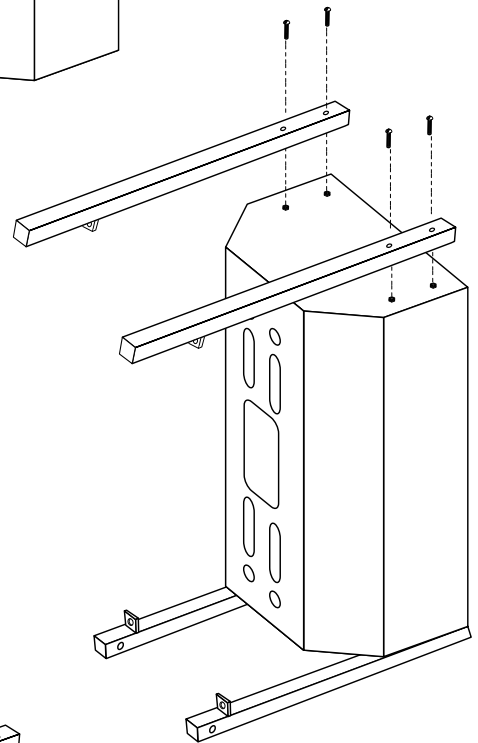
Step 1

Stand lower grill housing on right side, as shown. The wheels can only be assembled to the left side of the grill. Align the bolt holes in the longer set of legs to the bolt holes in the side of the lower grill housing. The two welded brackets on the bottom end of the legs should face toward the grill and the side table pivot studs should also face inward towards the other leg. Insert two 6x50mm screws through each leg and hand tighten.

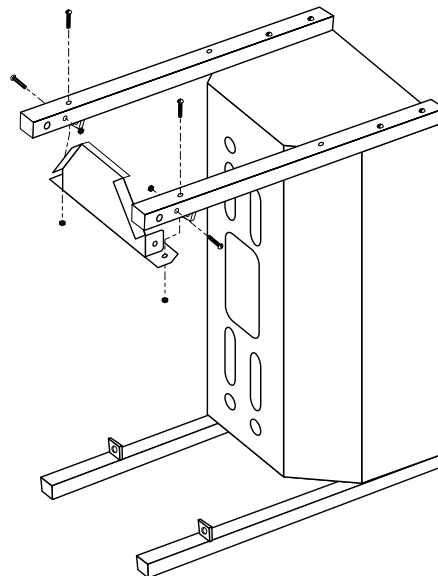


Step 2

With the help of a friend, turn the body over to the opposite end. Align the bolt holes in the shorter set of legs to the bolt holes in the side of the lower grill housing. The two welded brackets on the bottom end of the legs should face toward the grill and the side shelves pivot studs should also face inward towards the other leg. Insert two 6x50mm screws through each leg and hand tighten.

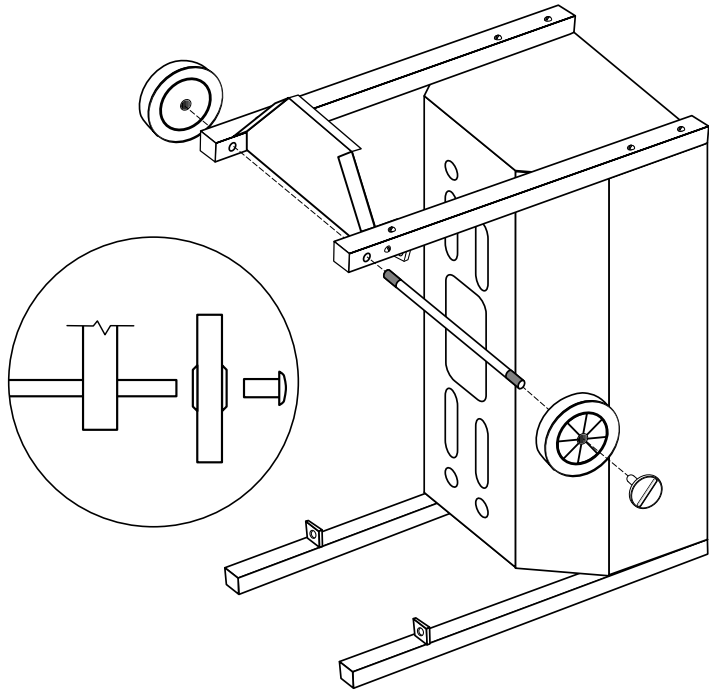


Note: Use caution when lifting the lower grill housing to prevent back injury or damage to the grill. With the help of an assistant, carefully turn the smoker to install the other legs. Try to minimize the stress placed on the legs.



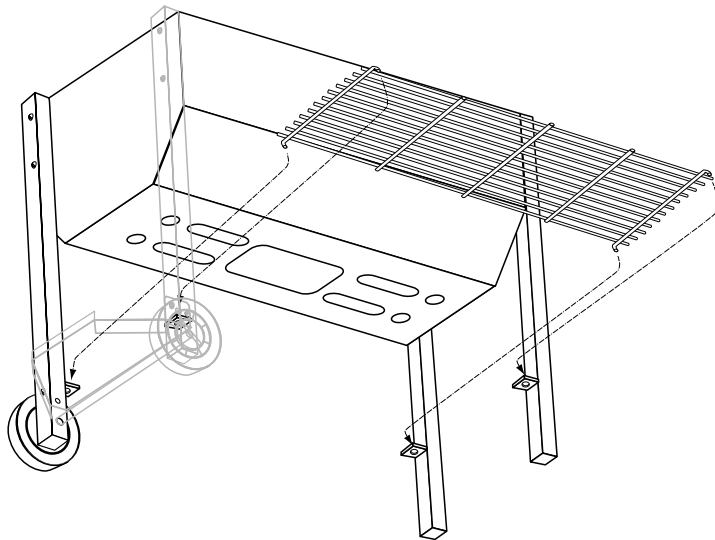
Step 3

Assemble tank support bracket between two short legs using two 6x50mm bolts and nuts.



Step 4

Insert axle into one wheel hub, then insert a wheel over the axle (flat side of the wheel should face outward toward the wheel hub.) Slide the axle assembly through the holes in the short legs with the tank support bracket. Place the second wheel onto the axle and push the second wheel hub into place.



Step 5

With the help of a friend, turn the assembly upright. Assemble the wire wood rack onto the welded brackets on the inside of the legs.

Note: Use caution when lifting the lower grill housing to prevent back injury or damage to the grill. With the help of an assistant, carefully turn the smoker to its upright position. Try to minimize the stress placed on the legs.

Step 6

Orient the grill so that the hood hinge holes are at the back of the grill. Align the control panel with the upper set of holes on the legs just below the bottom grill housing. Fasten the control panel using two 6x50mm bolts and nuts.

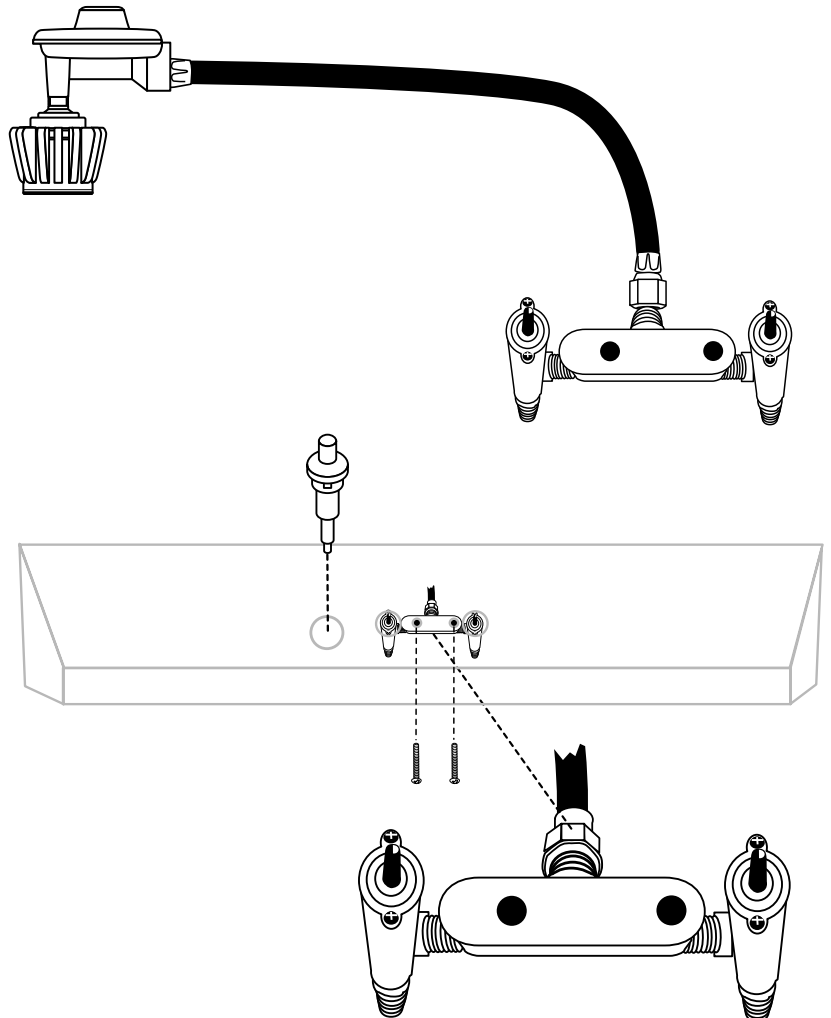
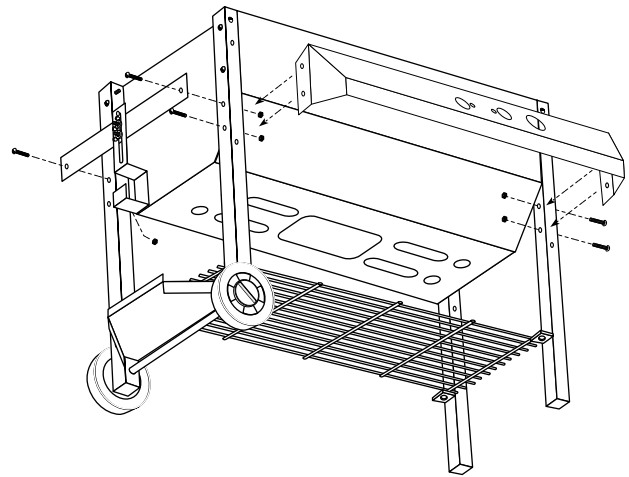
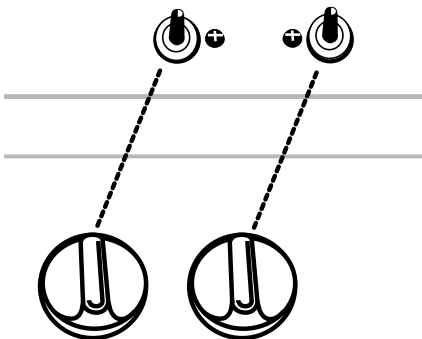
Step 7

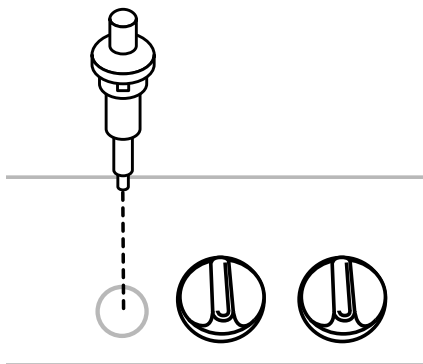
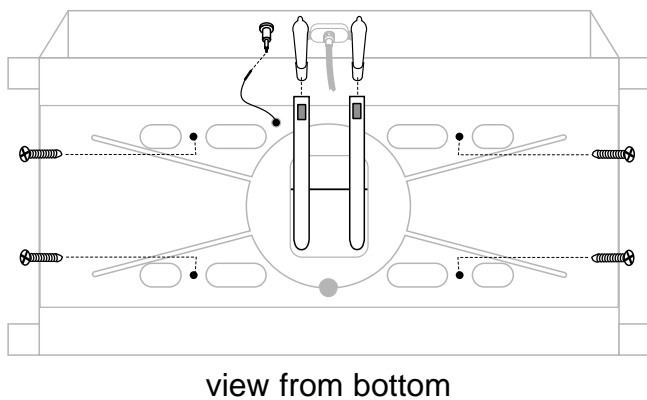
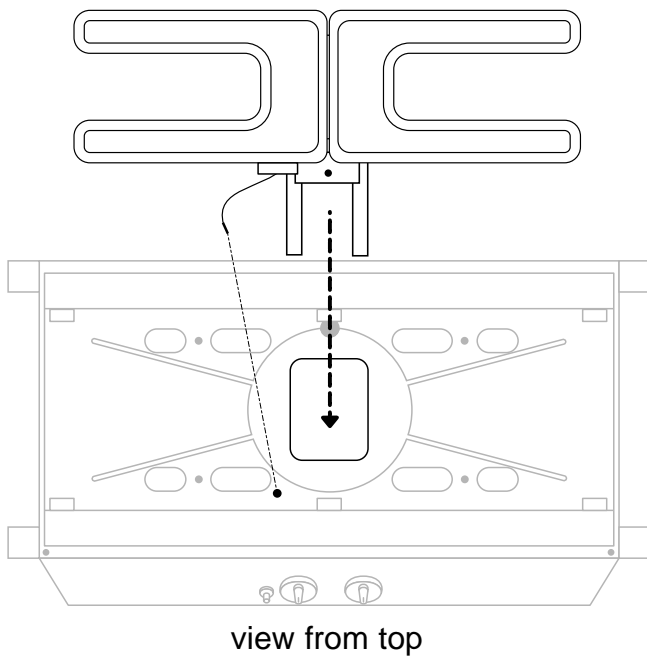
Align the tank hook strap to the legs (on side with tank support bracket). The threaded studs must be facing away from the grill bottom housing. Secure control panel and tank strap using 6x50mm bolts and nuts. Place the tank hook over the threaded studs and secure using two wingnuts.

Step 8

Attach the control valve manifold to the back side of the control panel using the two screws and lock washers provided with the manifold. One screw hole is offset for proper installation. Attach the control knobs by pressing them onto the valve stems.

NOTE: Manifold will have offset holes and can only be installed by aligning holes in manifold with holes in control panel.

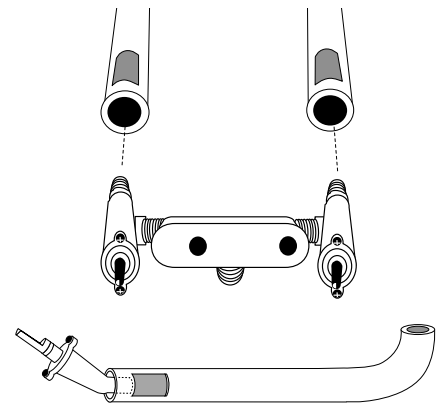




Step 9

Remove the four screws from the bottom mounting brackets on the burner and uncoil the electrode wire. Insert the burner into the grill by placing the venturi through the large hole in the center of the bottom housing. Align the venturi by inserting the control valve orifice into the venturi tubes. Secure the burner to the bottom housing use the four screws removed from the burner mounting brackets.

NOTE: Manifold will have offset holes and can only be installed by aligning holes in manifold with holes in control panel.

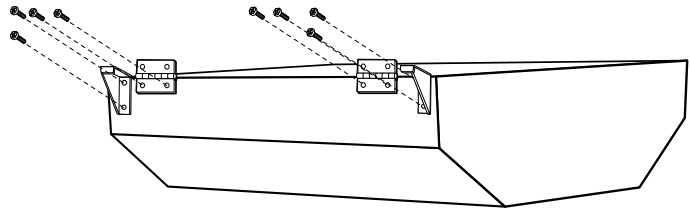


Step 10

Insert the burner electrode wire through the hole in the control panel and attach to the end of the igniter. Press the igniter into the hole on the control panel until it snaps in place.

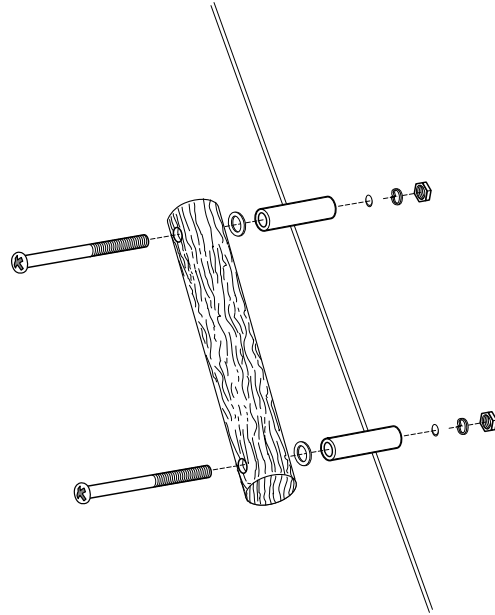
Step 11

Attach the hood stops and the hinge brackets to the back of the lower grill housing using eight 6x12mm screws. Do not fully tighten the hinge brackets to the housing at this time.



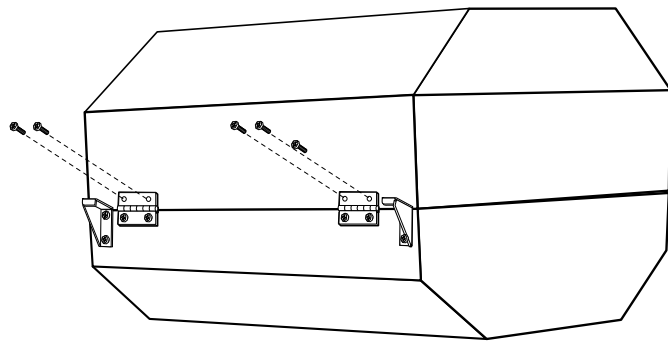
Step 12

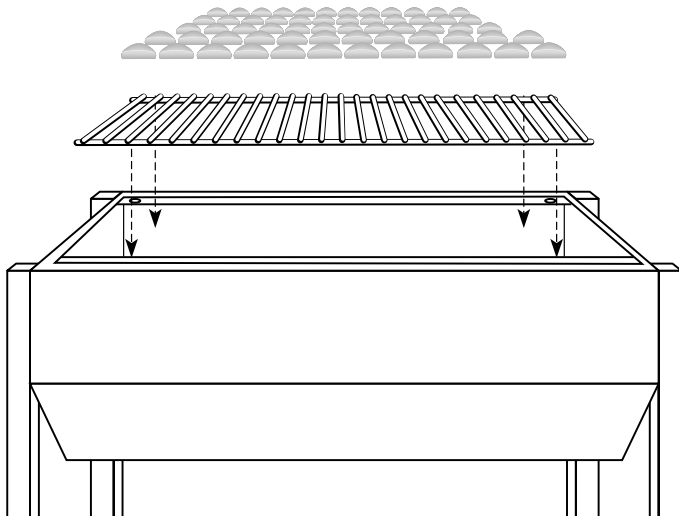
Assemble the handle to the hood. Insert two 5x65mm bolts through the wooden handle. Slide a flat washer over each bolt then the metal handle spacers. Insert the assembly into the holes on the front side of the grill hood housing. Secure using two split washers and two 5x4mm nuts.



Step 13

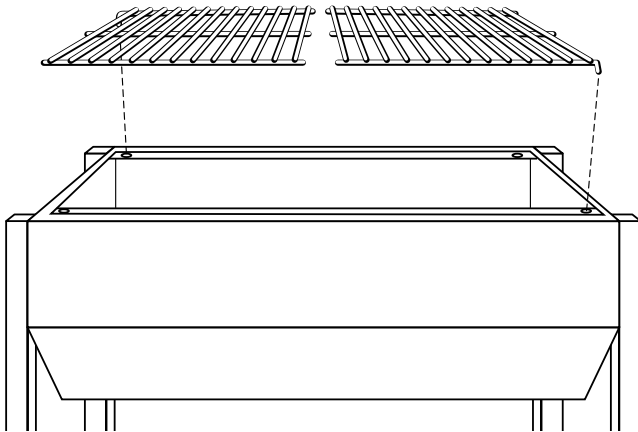
Place the Grill hood housing on top of the lower grill housing with the temperature gage and handle oriented to the front side of the grill. Using four 6x12mm screws attach the hood to the hinge brackets. Fully tighten all eight screws used to secure the hinge brackets to the lower grill housing and the grill hood housing.





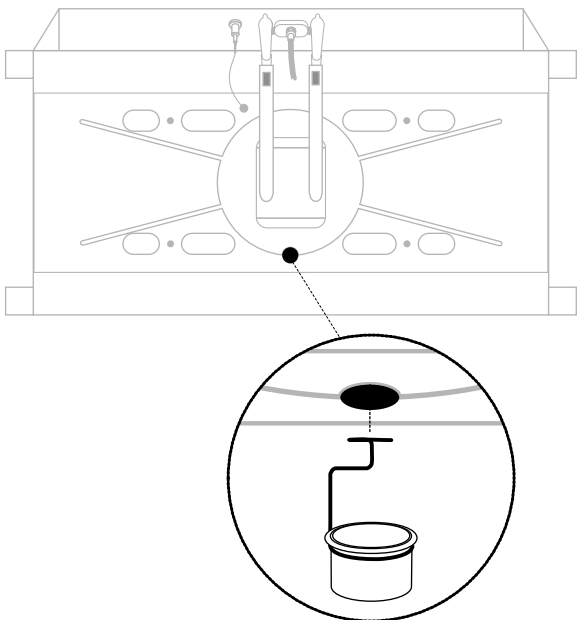
Step 14

Install ceramic briquet grate by placing it inside the lower grill housing on the brackets just above the burner. Place the ceramic briquets evenly onto the grate in 5 rows of 12 briquets each.



Step 15

Place the cooking grills onto the top flange of the lower grill housing by placing bent ends of the cooking grills into the holes on the front flange.



Step 16

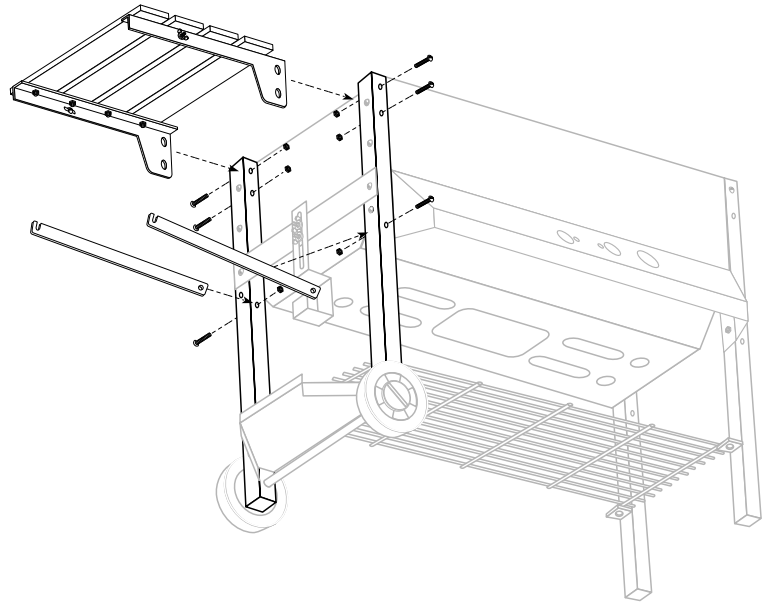
Place the grease cup inside the wire frame. Insert the "T" end of the wire frame into the hole in the back center of the bottom housing. Check the grease cup periodically when grilling to avoid spills.

Step 17

Note: Tank side table is a stationary table and does not fold down.

Attach assembled tank side table to grill legs by aligning the bolt holes in the side table bracket with the holes in the grill legs. Secure using two 6x50mm bolts and nuts.

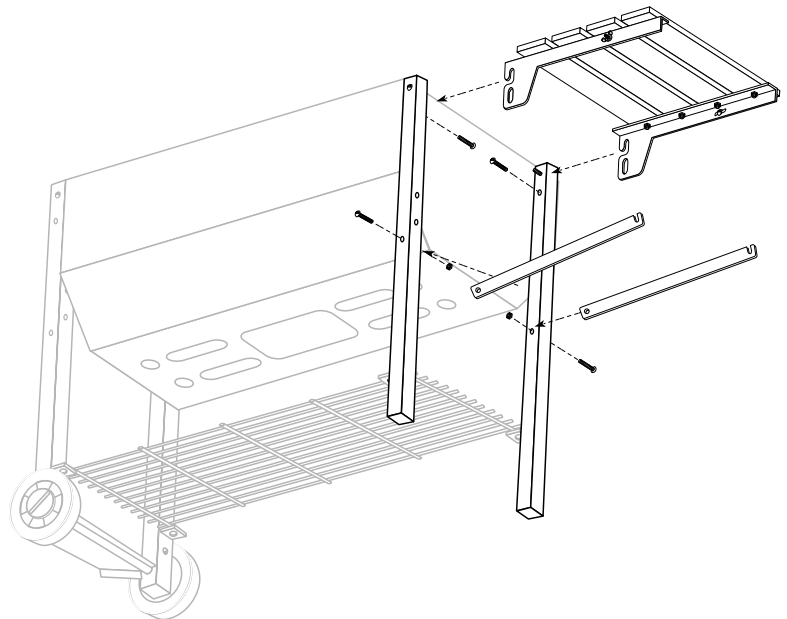
Attach support arms to each leg for the tank side table using 6x50mm bolts and nuts. The support arm brackets should be oriented with the notch facing up as the support arm bracket is held out from the leg. Rotate support arms towards the bottom of side table and secure using the wing nut.



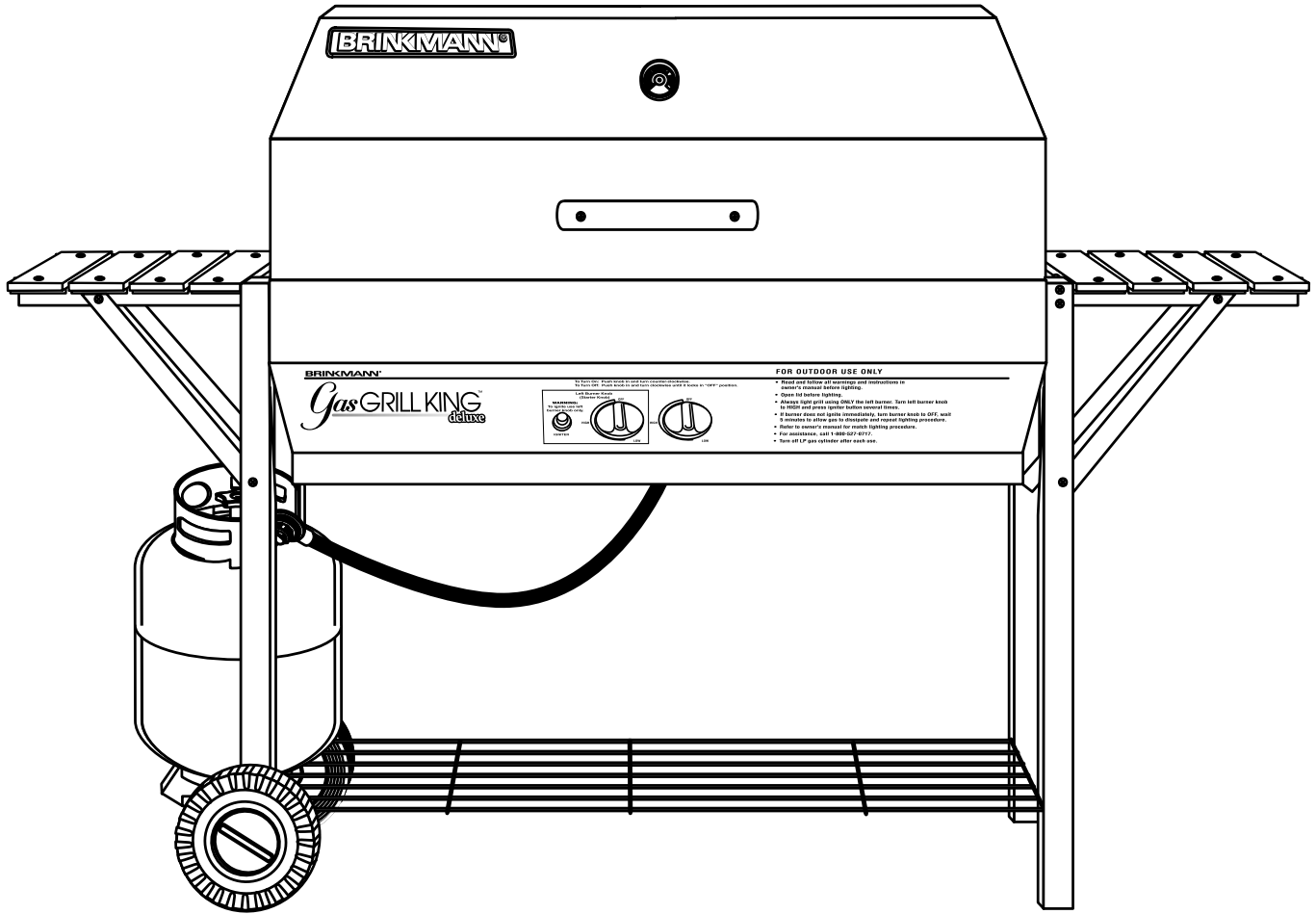
Step 18

Attach assembled folding side table to grill legs by placing the slot over the pivot stud on top of legs. Align the lower slotted hole with the first hole on the legs. Secure using two shouldered screws.

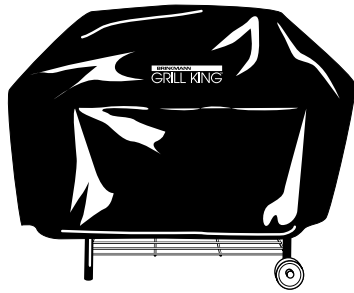
Attach support arms to each leg for the folding side table using 6x50mm bolts and nuts. The support arm brackets should be oriented with the notch facing up as the support arm bracket is held out from the leg. Rotate support arms towards the bottom of side table and secure using the wing nut.



Fully Assembled Gas Grill King Deluxe



ACCESSORIES



GRILL KING DELUXE COVER

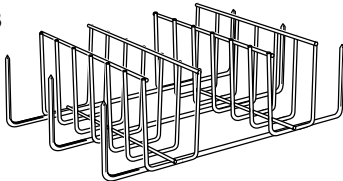
Our heavy-duty, durable vinyl cover with felt backing provides years of protection for Brinkmann Gas Grill King Deluxe. This top-of-the-line cover comes with closure strips at both ends to prevent cover from slipping or blowing off. Black.

812-3200-0

RIB RACK

Chrome-plated rack can greatly increase the cooking capacity of your grill. Holds ribs, chicken halves, potatoes and corn vertically to triple cooking capacity. Allows smoke, steam and heat to penetrate food evenly.

600-0062-3



PROFESSIONAL SHISH-KABOB SKEWERS

These heavy-duty, 18" shish-kabob skewers are extra-long for fabulous restaurant style kabobs. Made of rust resistant stainless steel to last for years.

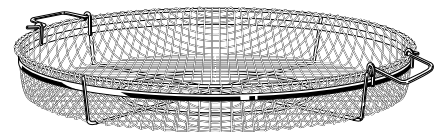
**SET OF 12
812-2904-0**



SMOKER BASKET

The unique basket weave prevents food from falling through the grill while allowing smoke, steam and heat to flow into the food. Great for fish, shrimp, vegetables and hors d'oeuvres.

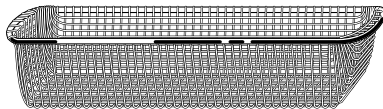
400-0074-0



MEATLOAF BASKET

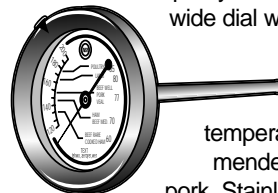
The unique basket weave prevents meatloaf from falling through the grill while allowing smoke, steam and heat to flow into the food. Also, provides a convenient method for lifting your meatloaf in and out of the smoker.

400-0073-0



COMMERCIAL-QUALITY MEAT THERMOMETER

An essential tool when cooking all types of meat. Get perfectly smoked roasts, briskets and turkeys without cutting into the meat. Commercial-quality thermostat features an easy-to-read 2 3/4" wide dial with a 5 1/4" stem. Features Fahrenheit and Centigrade readings and National Livestock and Meat Board recommended temperatures. Also features the newly recommended 170°F internal temperature for fresh pork. Stainless steel construction and dishwasher safe.



Board recommended temperatures. Also features the newly recommended 170°F internal temperature for fresh pork. Stainless steel construction and dishwasher safe.

812-4100-0

CHICKEN AND TURKEY RACKS

These chromed steel racks hold chicken, cornish hen, duck or turkey upright and are ideal for smoking, grilling or oven roasting poultry. The rack allows the meat to cook from the inside as well as from the outside. This speeds up cooking time, seals in flavorful juices and promotes even browning of skin. It's a low fat way to cook poultry because excess fat drips off the meat. When oven roasting, place poultry on rack in a shallow pan of water to steam baste to tender perfection. When grilling or smoking, simply place poultry on rack atop the grill. Makes carving easier, too.

CHICKEN RACKS (SET OF TWO)

885-9015-0

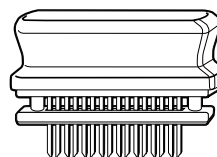
TURKEY RACK

885-9025-0



MEAT TENDERIZING MACHINE

The Jaccard Meat Tenderizing Machine's Stainless Steel blades penetrate meat in a single stroke. Easy to use with one hand. This tenderizer makes any cut of meat unbelievably tender and allows marinade and smoke to penetrate deeply into meat. Also reduces cooking time and helps retain flavorful juices. Made from ABS plastic with stainless steel blades. Completely dishwasher safe. Protective cover included.



**16 BLADE TENDERIZER
812-5016-0**

**48 BLADE TENDERIZER
812-5048-0**

ACCESSORIES

2-GALLON PAN & BASKET SET

Restaurant-style aluminum fry pan with nickel plated wire straining basket is an essential tool for frying fish, chicken, french fries, onion rings and more. Strainer basket holder helps drain excess oil. Use outdoors with the Brinkmann Gas Grill King Deluxe and avoid the mess and odor of frying indoors.

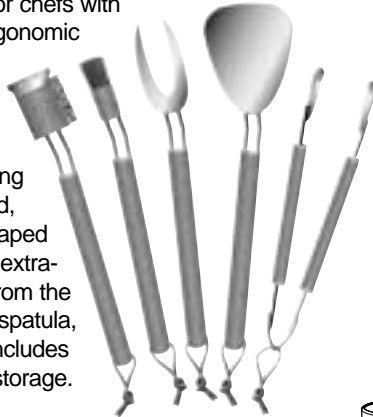
815-3610-0



THE ULTIMATE 5-PIECE BBQ TOOL SET

You'll be the envy of your fellow outdoor chefs with this ultimate BBQ tool set. It's sleek ergonomic design combined with durable, heavy-gauge stainless steel construction is truly impressive. Extra-wide, polished utensils provide precise handling and control when flipping, basting and turning your food on the grill. Beautifully crafted, smooth rosewood handles are oval-shaped to fit comfortably in your hand and are extra-long to keep your hands safely away from the fire. The five-piece set includes tongs, spatula, fork, basting brush, and a grill brush. Includes leather hanging straps for convenient storage.

812-5045-0



MULTI-PURPOSE SPATULA

If you could have only one BBQ tool, this multi-purpose spatula is it! Aside from being a great spatula, it features a serrated edge for cutting, a bottle opener, and special grooved edges for cleaning grills. Made of heavy-gauge stainless steel to last for years. Beautiful rosewood handles are slotted and riveted for maximum strength and durability. Includes leather hanging straps for convenient storage.

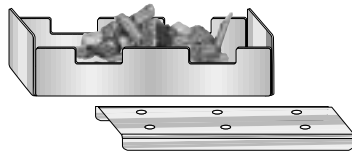
812-5047-0



STAINLESS STEEL WOOD CHIP SMOKING BOX

Rugged stainless steel smoking box allows wood chips to burn longer for richer smoke flavor and provides easy cleanup of ashes. Ideal for charcoal, electric, gas smokers and grills.

812-3311-0



MARINADE INJECTOR

This quick and easy marinade injector marinates meat in 5 minutes, not hours! Mix your favorite marinade and spices into a liquid and inject into turkey, roast, chicken or steak for a naturally tenderized and flavorful delight. The reusable Marinade Injector includes a heavy-duty stainless steel needle and heavy-gauge plastic syringe to last for years.

812-5059-0



SMOKE'N SPICE SEASONING

These custom blended spices are a delicious marinade seasoning for smoke cooking and grilling. Contains no MSG. Available in red and white meat varieties in a money-saving 2-pack.

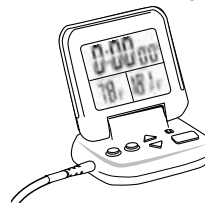
812-3322-0



ELECTRONIC COOKING THERMOMETER & TIMER

Eliminate guesswork and cook with precision in your oven, grill or smoker! This electronic digital thermometer & timer ensures that your food will be cooked to perfection by pre-setting cooking time and temperature. The alarm sounds automatically when the food is done. The stainless steel probe that is connected to 3 feet of wire provides an instant digital readout of internal cooking temperature of food without removing the grill lid or opening the oven door. Includes double magnet on the electronic unit for attachment to metal surfaces. Includes a AAA battery.

812-5030-0



LOOK FOR THESE AND OTHER BRINKMANN ACCESSORIES AT YOUR LOCAL RETAILER WHERE SMOKERS ARE SOLD, OR ORDER DIRECT BY CALLING

1-800-468-5252.

ONE-YEAR LIMITED WARRANTY

For one-year from date of purchase, The Brinkmann Corporation warrants the Brinkmann Gas Grill King Deluxe™ against defects due to workmanship or materials to the original purchaser. The Brinkmann Corporation's obligations under this warranty are limited to the following guidelines:

- This warranty does not cover grills that have been altered or damaged due to: normal wear, rust, abuse, improper maintenance, improper use, disassembly of parts and/or attempted repair by anyone other than an authorized employee of The Brinkmann Corporation.
- This warranty does not cover ceramic briquets, surface scratches, rust or heat damage to the finish, which is considered normal wear.
- The Brinkmann Corporation may elect to repair or replace damaged units covered by the terms of this warranty.
- This warranty extends to the original purchaser only and is not transferable or assignable to subsequent purchasers.

The Brinkmann Corporation requires reasonable proof of purchase. Therefore, we strongly recommend that you retain your sales receipt or invoice. To obtain replacement parts for your Brinkmann Gas Grill King Deluxe under the terms of this warranty, please call Customer Service Department at 1-800-527-0717. **A receipt will be required. The Brinkmann Corporation will not be responsible for any grills forwarded to us without prior authorization.** Brinkmann Gas Grill King Deluxe must be returned to the original place of purchase for replacement of the unit.

EXCEPT AS ABOVE STATED, THE BRINKMANN CORPORATION MAKES NO OTHER EXPRESS WARRANTY.

THE IMPLIED WARRANTIES OF MERCHANTABILITY AND FITNESS FOR A PARTICULAR PURPOSE ARE LIMITED IN DURATION TO ONE YEAR FROM THE DATE OF PURCHASE. SOME STATES DO NOT ALLOW LIMITATIONS ON HOW LONG AN IMPLIED WARRANTY LASTS, SO THE ABOVE LIMITATION MAY NOT APPLY TO YOU.

ANY LIABILITY FOR INDIRECT, INCIDENTAL OR CONSEQUENTIAL DAMAGES ARISING FROM THE FAILURE OF THE BRINKMANN GAS GRILL KING DELUXE TO COMPLY WITH THIS WARRANTY OR ANY IMPLIED WARRANTY IS EXCLUDED. CUSTOMER ACKNOWLEDGES THAT THE PURCHASE PRICE CHARGED IS BASED UPON THE LIMITATIONS CONTAINED IN THE WARRANTY SET OUT ABOVE. SOME STATES DO NOT ALLOW THE EXCLUSION OR LIMITATION OF INCIDENTAL OR CONSEQUENTIAL DAMAGES, SO THE ABOVE LIMITATION OR EXCLUSION MAY NOT APPLY TO YOU. THIS WARRANTY GIVES YOU SPECIFIC LEGAL RIGHTS, AND YOU MAY ALSO HAVE OTHER RIGHTS WHICH VARY FROM STATE TO STATE.